



(12) **United States Design Patent**
Al-Husseini

(10) **Patent No.:** **US D942,534 S**
(45) **Date of Patent:** **** Feb. 1, 2022**

(54) **CALCULATOR WITH ELECTRONIC TUBE DISPLAY AND KEYPAD**

(71) Applicant: **Mahdi Al-Husseini**, Douglasville, GA (US)

(72) Inventor: **Mahdi Al-Husseini**, Douglasville, GA (US)

(**) Term: **15 Years**

(21) Appl. No.: **29/710,049**

(22) Filed: **Oct. 19, 2019**

(51) **LOC (13) Cl.** **18-01**

(52) **U.S. Cl.**
USPC **D18/6**

(58) **Field of Classification Search**
USPC D18/6-11, 1, 2, 12, 4.1, 4.21; D14/314, D14/338, 339, 129, 455; D19/128, 60; D21/512; D13/180, 181
CPC G06F 3/037; G06F 3/153; G06G 3/00; G06G 3/02; G06G 3/04; G06K 15/1233; B41J 2/4476; H01J 17/49; H01J 17/491; H01J 2893/0069; G09G 3/10
See application file for complete search history.

2,118,000 A * 5/1938 Wojtkowiak H01J 17/491 313/520
RE21,233 E * 10/1939 Wojtkowiak H01J 17/491 313/520
D150,803 S * 8/1948 Monor D18/6
D158,420 S * 5/1950 Sullivan D10/46.1
D164,150 S * 8/1951 Ayers D18/6
D165,564 S * 12/1951 Van Veen D18/6
2,617,956 A * 11/1952 Hamvas H01J 25/56 313/158
2,618,697 A * 11/1952 Metcalf H01J 17/491 345/41

(Continued)

OTHER PUBLICATIONS

Early Anita Desktop Calculators—ANITA Mk 8_ (Online) 10 pgs. © 2002. [Retrieved Sep. 3, 2021] http://www.anita-calculators.info/html/anita_mk_8.html.*

(Continued)

Primary Examiner — Marie D. Fast Horse

(57) **CLAIM**

The ornamental design for a calculator with electronic tube display and keypad, as shown and described.

(56) **References Cited**

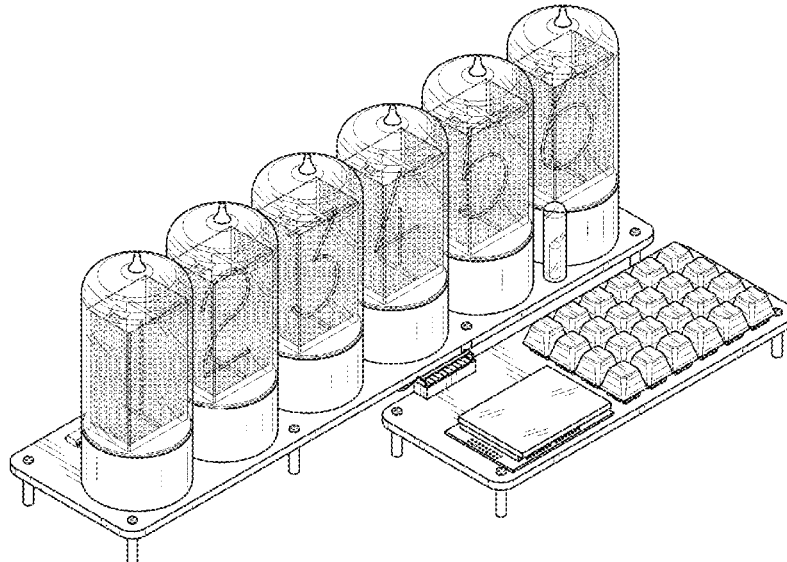
U.S. PATENT DOCUMENTS

1,560,103 A * 11/1925 Schmierer H01J 17/491 313/516
1,974,888 A * 9/1934 Barclay H01J 5/54 315/36
2,004,995 A * 6/1935 Le Bel H01J 17/491 315/246
2,020,413 A * 11/1935 Henninger, Jr. H01J 17/491 315/209 R
2,073,599 A * 3/1937 Malter H01J 43/04 313/105 R
2,108,487 A * 2/1938 Henninger, Jr. H01J 17/491 313/520

DESCRIPTION

FIG. 1 is a perspective view of a calculator with electronic tube display and keypad showing my new design; FIG. 2 is a perspective view thereof; FIG. 3 is a side elevation view thereof; FIG. 4 is a side elevation view thereof; FIG. 5 is a side elevation view thereof; and, FIG. 6 is a top plan view thereof. The broken lines in the drawings depict portions of the calculator with electronic tube display and keypad that form no part of the claim.

1 Claim, 6 Drawing Sheets



(56)

References Cited

U.S. PATENT DOCUMENTS

2,632,128 A * 3/1953 Hancock H01J 17/491
313/517
2,695,134 A * 11/1954 Sundstrand G06C 25/00
235/60.25
2,723,365 A * 11/1955 Williams H01J 17/491
315/205
2,783,408 A * 2/1957 Williams H01J 17/491
313/517
2,785,488 A * 3/1957 Brooks G06M 1/28
40/503
2,814,001 A * 11/1957 Maynard H01J 17/491
377/100
2,906,906 A * 9/1959 McCauley H01J 17/49
313/521
3,113,235 A * 12/1963 Porter H01J 19/42
313/285
D203,989 S * 3/1966 Wiggerman D14/339
3,283,204 A * 11/1966 Boden H01J 17/491
315/58
D209,672 S * 12/1967 Takanashi D14/129
D210,212 S * 2/1968 Sanborn D14/338
D215,659 S * 10/1969 Brosdus et al. D14/338
3,594,779 A * 7/1971 Kitz H01J 17/49
345/43

3,641,501 A * 2/1972 Lloyd G06F 15/02
708/130
3,716,899 A * 2/1973 Kerstetter H01J 31/15
445/33
3,735,181 A * 5/1973 Kobayakawa H01J 17/491
313/517
D227,114 S * 6/1973 Inatomi D14/339
3,846,662 A * 11/1974 Hooker H01J 31/15
313/496
D239,032 S * 3/1976 Anderson D14/339
D371,787 S * 7/1996 Sohn D14/188
D385,919 S * 11/1997 Tomsen D19/60
D489,705 S * 5/2004 Sabnani D14/189
D652,861 S * 1/2012 van der Lande D18/7
D813,189 S * 3/2018 Lundgard D14/188
D919,583 S * 5/2021 Al-Husseini D13/182

OTHER PUBLICATIONS

An Old Inspiration to Arithmetic—Mahdi Al-Husseini. (Online) 4
pgs. Spring 2019 <https://mahdial-husseini.com/AOITA>.
Calculator Displays. (Online) 4 pgs. © 2000 http://www.vintagecalculators.com/html/calculator_displays.html.
Calculator Collection—Computers_13 IBM 701 from the year
1953. (Online) 3 pgs. [Retrieved Sep. 3, 2021] http://www.calculatormuseum.nl/calculators/computers_IBM701.html.

* cited by examiner

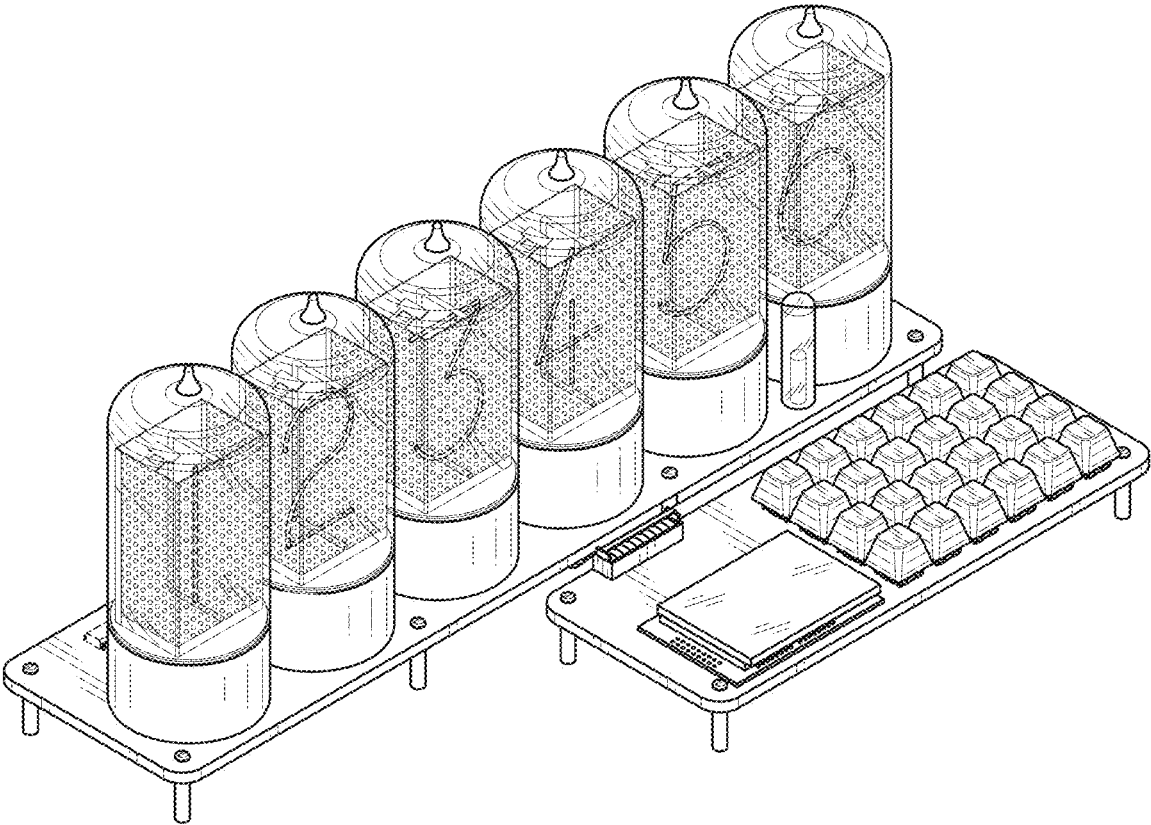


FIG. 1

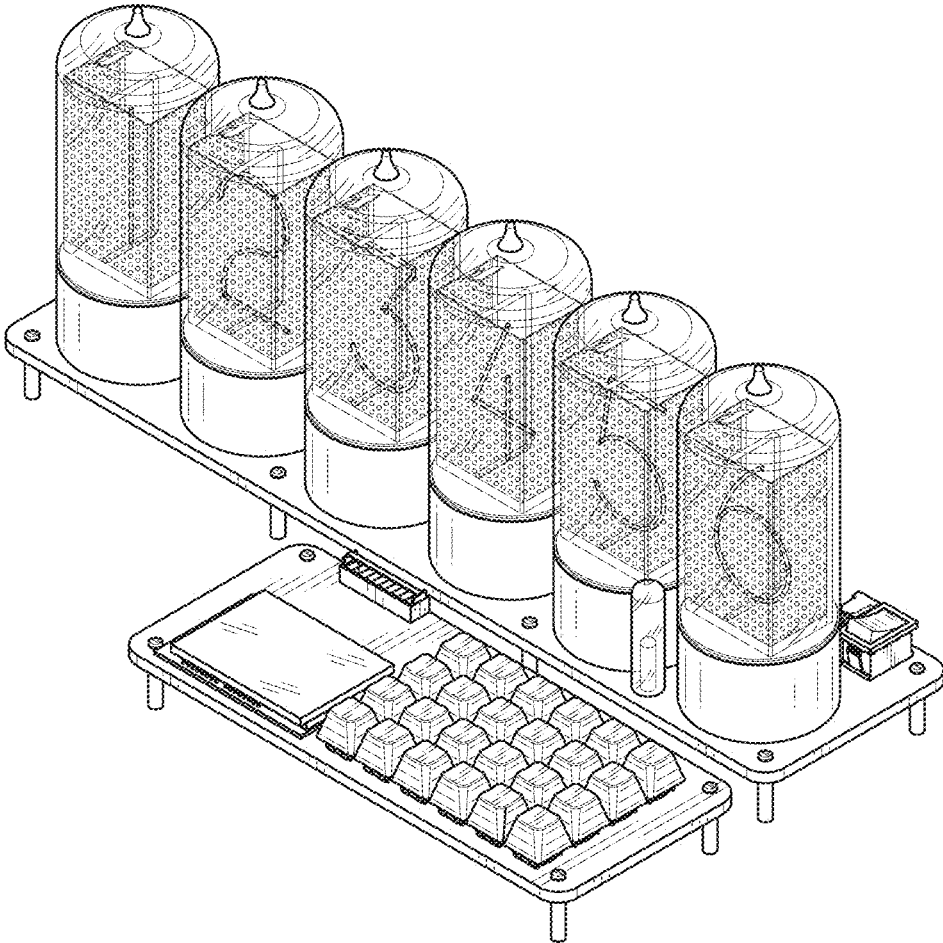


FIG. 2

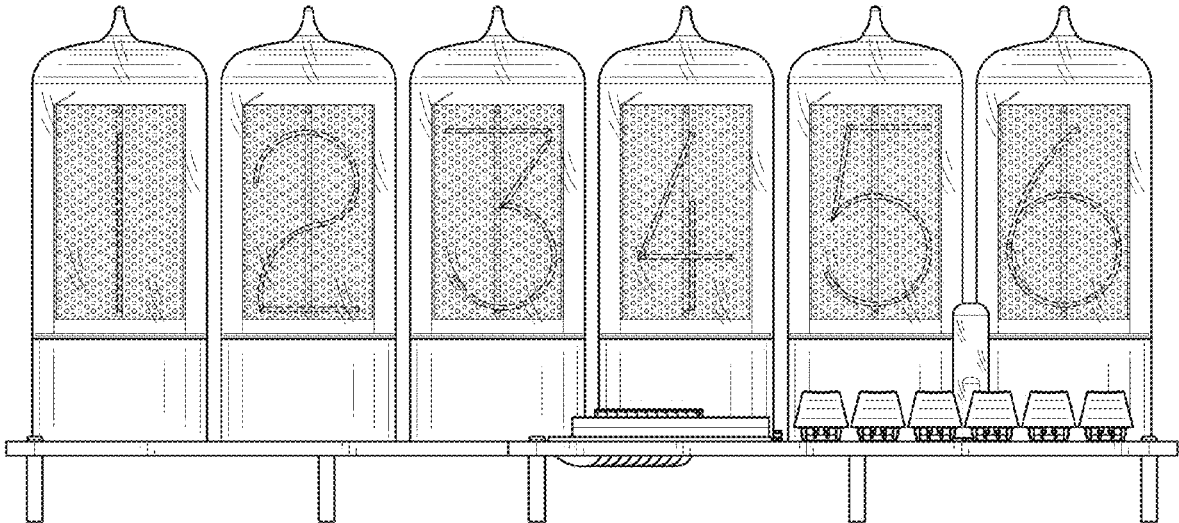


FIG. 3

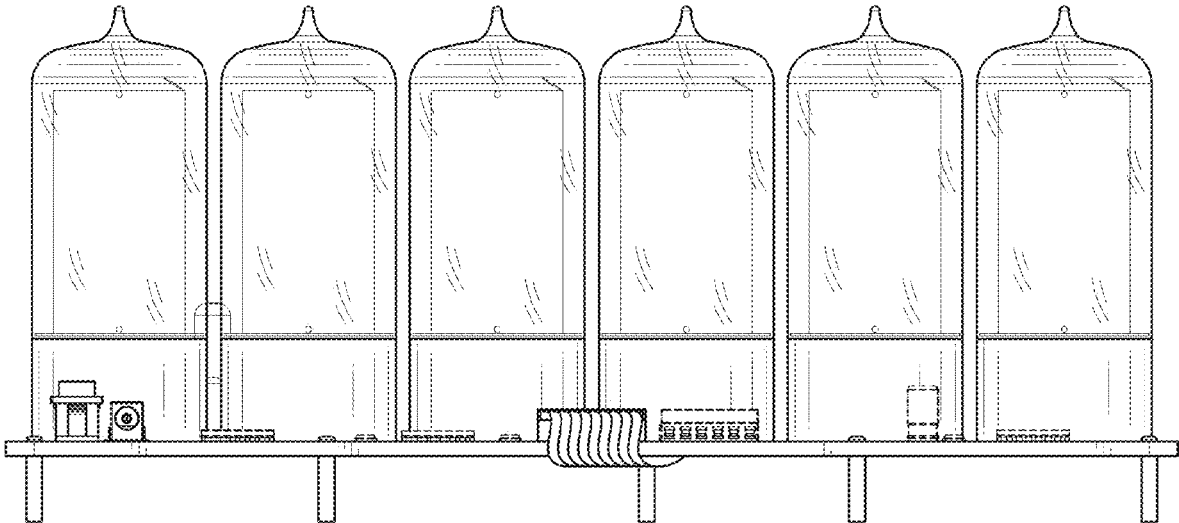


FIG. 4

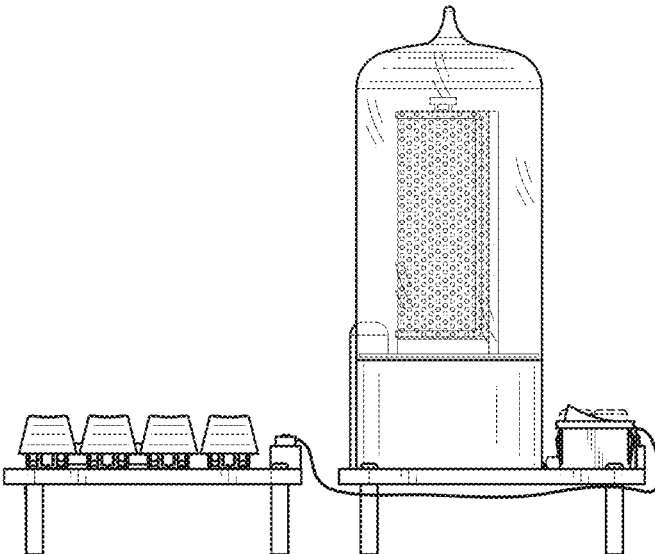


FIG. 5

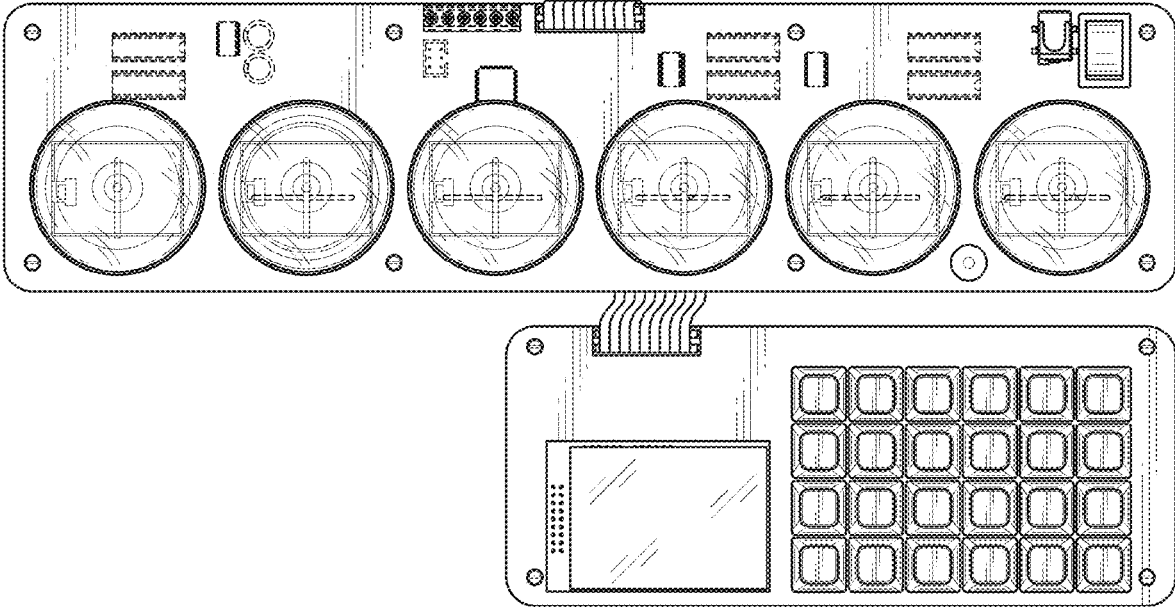


FIG. 6